

MX SERIES Piston Pump

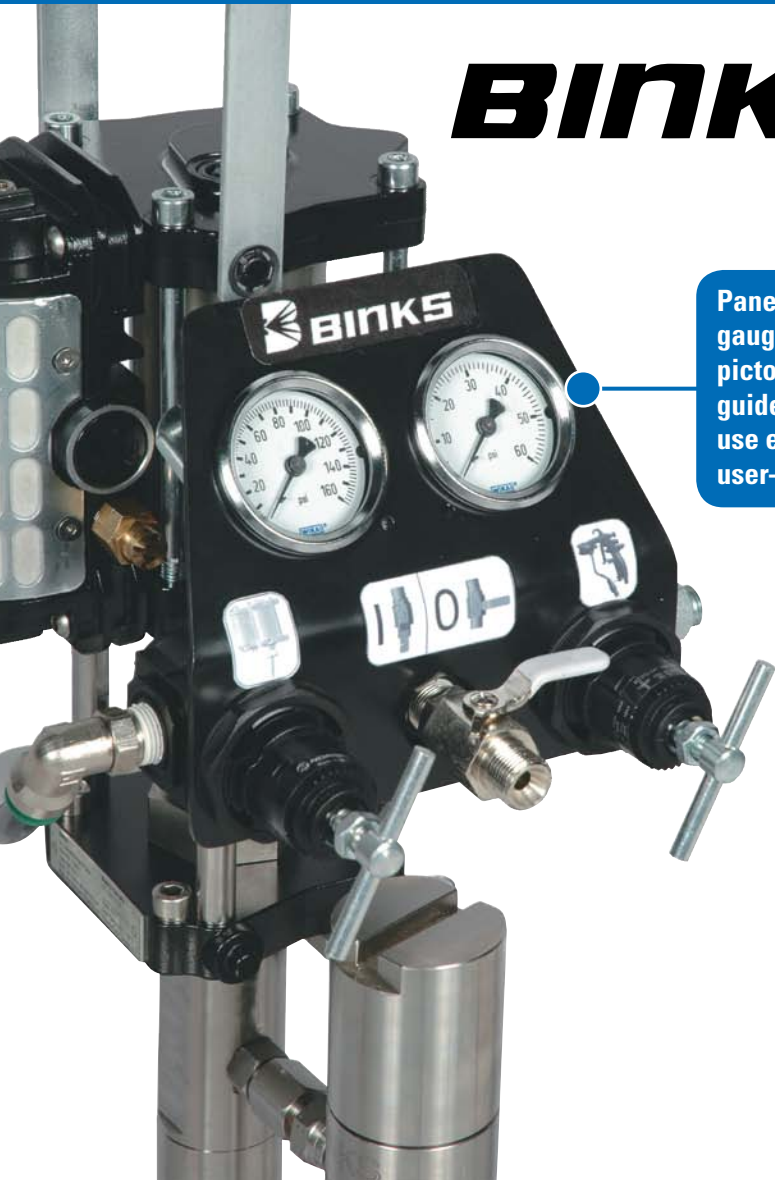


BINKS MX SERIES. TAKE IT TO THE MAX.

*Ideal for air assisted airless spray finishing, supporting 1 to 2 guns,
with thin to medium viscosity coatings.*



BINKS **MX** SERIES



Panel mounted gauges and pictorial guides make use easy and user-friendly

The **BINKS MX** pump uses magnetic detent spool valve and quick dump air valve technologies to provide a fast acting, responsive air motor.

Coupled with a durable, hard chrome plated stepped rod fluid section, the **BINKS MX** pump switches over at low pressures. This lets you operate with less atomizing air at your spray gun. This leads to less overspray and reduced coating consumption.

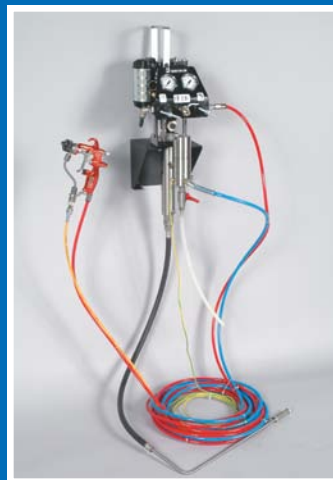
The **BINKS MX** pump is ideal for waterborne or solventborne coatings, from thin to medium viscosities.

The **BINKS MX** pump gives you maximum efficiency, maximum durability, maximum ease-of-use, and maximum versatility.

MX Pump Outfits get you spraying!



MX4-12 Cart mounted outfit



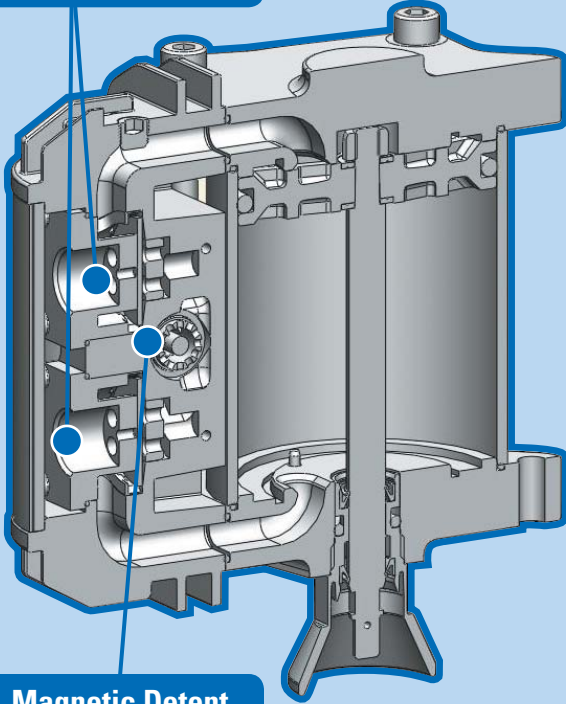
MX4-12 Wall mounted outfit



MX4-32 Tripod mounted outfit

The **MX** SERIES takes it to the **MAX**!

Quick Dump Valves



Magnetic Detent Spool Valve

MAXimum Efficiency!

- Magnetic Detented Spool Valve design (patent pending) switches over with less energy than traditional spring designs.
- Quick Dump Valve technology exhausts air quickly for a quick pump switchover.
- Go Green! Air Motor switches over at low pressures with very little "wink". Minimize your air assisted airless gun's shaping air to get more of your coating on target and less overspray.

MAXimum Versatility!

- Typical Coatings: Stains, Sealers, Topcoats, Conversion Varnishes, PTSA Catalyzed materials. Waterborne or Solventborne.
- Typical Substrates: Wood Furniture, Cabinets.

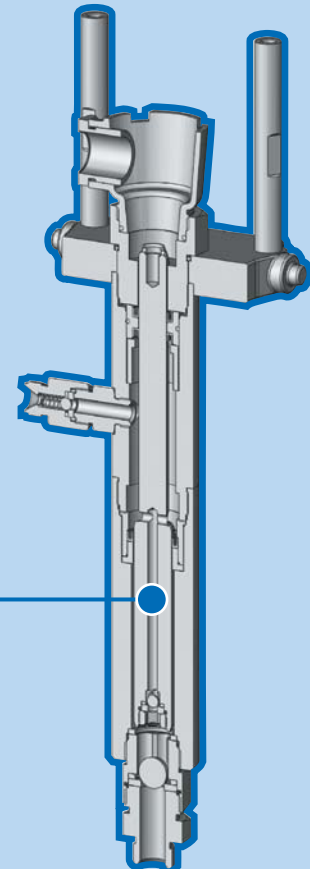
MAXimum Durability!

- Non-Lubricated Spool Valve is stall resistant even with dirty and wet air.
- Balanced stepped rod fluid section with hard chromed surface minimizes wear and maximizes time-between-rebuilds.
- Semi-enclosed throat seal keeps out debris, yet won't contaminate air motor if seal leaks.

MAXimum Ease-of-Use!

- Panel Mounted Air Controls are simple to use.
- Sight glass on upper seal lubricant reservoir enables easy inspection of upper seal integrity.

Balanced, hard chrome plated stepped rod pump



0.4 GPM at 60 Cycles/Min 12:1 or 32:1

Our low pulse design enables lower shaping air pressures for better transfer efficiency.



Magnetic Detent spool valve (patent pending) and quick dump air valves enable air motor to switch over quickly.

0.4 GPM @ 60 cycles/min supports single gun spraying.

Balanced, stepped rod fluid section with hard chromed surface minimizes wear and maximizes time-between-rebuilds.

	MX412	MX432
Pressure Ratio	12:1	32:1
Flow Rate at 60 cycles per minute	0.4 GPM (1.4 l/min)	
Displacement per cycle	0.8 oz (24 cm ³)	
Inlet Fluid Connection	1/2" NPS(m)	
Outlet Fluid Connection (Pump)	3/8" NPS(m) or BSP(m)	
Outlet Fluid Connection (Filter)	1/4" NPS(m) or BSP(m)	
Air Connections	1/4" NPS(m) or 3/8" BSP(m)	
Wetted Materials	Stainless Steel, Hard Chrome, Nylon, PTFE, UHMWPE, Tungsten Carbide	
Max Fluid Pressure with included air motor	1,390 psi (96 bar)	3,712 psi (256 bar)
Air Consumption at 20 cycles per minute	2.2 SCFM	5.2 SCFM
Noise	88 dB	96 dB
Max Air Inlet Pressure	116 psi (8 bar)	
Max Recommended Continuous Cycle Rate	Up to 20 Cycles/minute	

MODEL	GPM at 60 cycles/min		FEATURES										
	Ratio		UHMWPE U-Cup Seal	PTFE/UHMWPE Packings	AA1500 Gun with A10 Aircap and 114-01310 tip	AA4000 Gun with A10 Aircap and 114-01310 tip	Air Assisted Airless Air Control	Cart Mount	Tripod Mount	Wall Mount	Stainless Steel Filter	5 Gallon Siphon	25' of air and fluid hose
MX412UC-ADC1S25	0.4	12:1	■	■		■	■			■	■	■	
MX412UC-ADT1S25	0.4	12:1	■	■		■		■		■	■	■	■
MX412UC-ADW1S25	0.4	12:1	■	■		■			■	■	■	■	■
MX412UC-ODC0000	0.4	12:1	■			■	■						
MX412UC-ODT0000	0.4	12:1	■			■		■					
MX412UC-ODW0000	0.4	12:1	■			■			■				
MX412UC	0.4	12:1	■			■							
MX412PU-ODW0000	0.4	12:1		■		■			■				
MX412PU	0.4	12:1		■		■							
MX432PU-BDC1S25	0.4	32:1		■	■	■	■			■	■	■	■
MX432PU-BDT1S25	0.4	32:1		■	■	■		■		■	■	■	■
MX432PU-BDW1S25	0.4	32:1		■	■	■			■	■	■	■	■
MX432PU-ODC0000	0.4	32:1		■		■	■						
MX432PU-ODT0000	0.4	32:1		■		■		■					
MX432PU-ODW0000	0.4	32:1		■		■			■				
MX432PU	0.4	32:1		■		■							
MX432UC-ODW0000	0.4	32:1	■			■			■				
MX432UC	0.4	32:1	■			■							

Special ordering options

To...	Order...
Order a cart mounted pump not shown...	Order a wall mounted pump and add cart kit 0115-010186
Add a siphon...	Order either 5 gallon siphon 41-17238 or 55 gallon siphon 0115-010381 and adaptor 0115-010235
Add a high pressure fluid filter to a bare pump...	Order 0115-010326
Add outbound air and fluid hoses to an air assisted airless air control...	MX412: Order one each of 71-4995, 71-6844, 71-4803 and two each of 83-4233 and 54-4976. MX432: Order one each of 71-4830, 54-4989 and two each of 54-4976 and 83-4233.
Add an air assisted airless gun...	For an MX412 , order a gun 1500-0000-10 plus tip 114-01310. For an MX432 , order a gun 4000-0000-10 plus tip 114-01310.
Convert a U-Cup seal pump to a packed pump...	Order 2 springs 0115-010111 and 1 of either seal kit (PTFE/Leather) 0115-010221, seal kit (PTFE) 0115-010223, or seal kit (PTFE/UHMWPE) 0115-010225
Convert a packing sealed pump to a U-Cup sealed pump...	Order 1 seal kit 0115-010219

Common repair kits and accessories

	MX412	MX432
Fluid Section Seal Kit, PTFE/Leather Packings	0115-010221	
Fluid Section Seal Kit, PTFE Packings	0115-010223	
Fluid Section Seal Kit, PTFE/UHMWPE Packings	0115-010225	
Fluid Section Seal Kit, UHMWPE U-Cup	0115-010219	
Fluid Section Repair Kit, PTFE/Leather Packings	0115-010222	
Fluid Section Repair Kit, PTFE Packings	0115-010224	
Fluid Section Repair Kit, PTFE/UHMWPE Packings	0115-010388	
Fluid Section Repair Kit, UHMWPE U-Cup	0115-010220	
Air Motor Seal Kit	0115-010214	0115-010215
Air Motor Repair Kit	0115-010216	0115-010217
Air Motor Valve Repair Kit	0115-010226	
Air Motor Hardware Kit	0115-010213	
100 Mesh Element for Filter	0110-009132	
Throat Seal Lubricant for Waterborne Coatings	0114-014871	
Throat Seal Lubricant for Solventborne Coatings	0114-009433	
Service Literature: Bare Pump (motor and fluid section)	77-2906	77-2907
Service Literature: System Sheet	77-2912	77-2913

Special ordering options

To...	Order...
Order a cart mounted pump not shown...	Order a wall mounted pump and add cart kit 0115-010186
Add a siphon to a bare pump...	Order either 5 gallon siphon 115-010236 or 55 gallon siphon 0115-010381
Add a high pressure fluid filter to a bare pump...	Order 0115-010326
Add outbound air and fluid hoses to an air assisted airless air control...	MX1212: Order one each of 71-4995, 71-6844, 71-4803 and two each of 83-4233 and 54-4976. MX1231: Order one each of 71-4830, 54-4989 and two each of 54-4976 and 83-4233.
Add an air assisted airless gun...	For an MX1212 , order a gun 1500-0000-10 plus tip 114-01310. For an MX1231 , order a gun 4000-0000-10 plus tip 114-01310.
Convert a U-Cup seal pump to a packed pump...	Order 2 springs 0115-010152 and 1 of either 0115-010306, 0115-010308, 0115-010303
Convert a packing sealed pump to a U-Cup sealed pump...	Order 1 seal kit 0115-010304

Common repair kits and accessories

	MX1212	MX1231
Fluid Section Seal Kit, PTFE/Leather Packings	0115-010306	
Fluid Section Seal Kit, PTFE Packings	0115-010308	
Fluid Section Seal Kit, PTFE/UHMWPE Packings	0115-010303	
Fluid Section Seal Kit, UHMWPE U-Cup	0115-010304	
Fluid Section Repair Kit, PTFE/Leather Packings	0115-010307	
Fluid Section Repair Kit, PTFE Packings	0115-010309	
Fluid Section Repair Kit, PTFE/UHMWPE Packings	0115-010387	
Fluid Section Repair Kit, UHMWPE U-Cup	0115-010305	
Air Motor Seal Kit	0115-010217	0115-010302
Air Motor Repair Kit	0115-010386	0115-010301
Air Motor Valve Repair Kit	0115-010226	
Air Motor Hardware Kit	0115-010213	0115-010300
100 Mesh Element for Filter	0110-009132	
Throat Seal Lubricant for Waterborne Coatings	0114-014871	
Throat Seal Lubricant for Solventborne Coatings	0114-009433	
Service Literature: Bare Pump (motor and fluid section)	77-2916	77-2918
Service Literature: System Sheet	77-2917	77-2919

Choose an AA1500 or AA4000 Air Assisted Airless gun for **MAXimum** performance!

A superior finish with reduced overspray and VOC emissions.

Binks Air Assisted Airless Spray Guns allow operators to use lower fluid and air pressure than the competition to achieve a superior finish. Cartridge needle and packing set make for quick maintenance. AA1500 and AA4000 guns give you:

- **Better transfer efficiency and less overspray**
- **A softer spray pattern**
- **Less bounceback**
- **Lower booth maintenance costs**
- **Longer life on wear parts**



PART NO.	SIZE	FAN WIDTH*
114-00702	.007	1" – 2"
114-00704	.007	2" – 4"
114-00706	.007	4" – 6"
114-00708	.007	6" – 8"
114-00902	.009	1" – 2"
114-00904	.009	2" – 4"
114-00906	.009	4" – 6"
114-00908	.009	6" – 8"
114-00910	.009	8" – 10"
114-00912	.009	10" – 12"
114-01104	.011	2" – 4"
114-01106	.011	4" – 6"
114-01108	.011	6" – 8"
114-01110	.011	8" – 10"
114-01112	.011	10" – 12"
114-01114	.011	12" – 14"
114-01304	.013	2" – 4"
114-01306	.013	4" – 6"
114-01308	.013	6" – 8"
114-01310	.013	8" – 10"
114-01312	.013	10" – 12"
114-01314	.013	12" – 14"
114-01316	.013	14" – 16"
114-01506	.015	4" – 6"
114-01508	.015	6" – 8"
114-01510	.015	8" – 10"
114-01512	.015	10" – 12"
114-01514	.015	12" – 14"
114-01516	.015	14" – 16"
114-01518	.015	16" – 18"

Coating	Typical† Viscosity	Orifice Tip Size	Most appropriate pump to support:	
			single gun spraying	2 gun spraying
Wash Primer	Very Thin	0.009" or 0.011"	MX 412 or MX 432	MX 1212 or MX 1231
Dyes	Very Thin	0.009" or 0.011"		
Stains	Very Thin	0.009" or 0.011"		
Solvents	Very Thin	0.009" or 0.011"		
Sealers	Thin	0.013" or 0.015"		
Lacquers	Thin to Medium	0.013" or 0.015"		
Primers	Thin	0.013" or 0.015"	MX1212 or MX1231	
Ink	Thin	0.013" or 0.015"		
Zinc Chromate	Thin	0.013" or 0.015"		
Synthetics	Medium	0.015" and above		
Enamels	Medium	0.015" and above		
Varnishes	Medium	0.015" and above		

*Based on 1,000 psi with water.

†Actual results may vary, depending on material viscosity.



www.binks.com

Sales and Service Through A Global Network of Industrial Distributors

North American Office
ITW Industrial Finishing
195 Internationale Blvd.
Glendale Heights, IL 60139 USA
630-237-5000

Toll Free Customer Support
800-99-BINKS (800-992-4657) USA & Canada Only

Toll Free Technical Assistance
888-99-BINKS (888-992-4657) USA & Canada Only